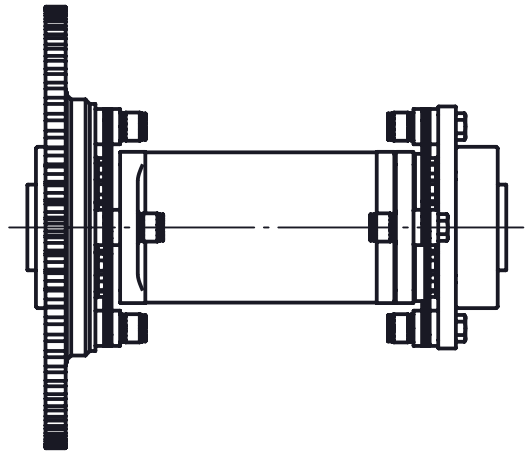
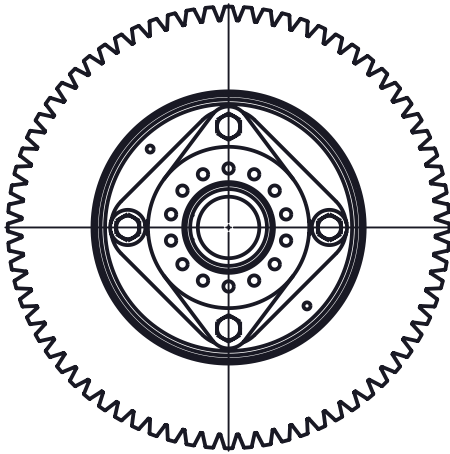


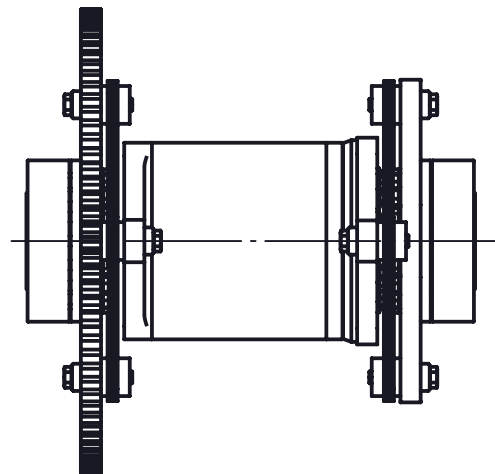
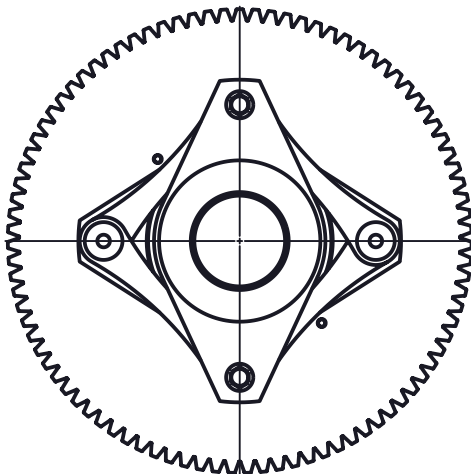
Example of JHS-WTC-402

P = 3,0 MW



Example of JHS-WTC-542

P = 5,3 MW



TECHNICAL DATA WTC-402

Nominal power	3,0 MW
Rated torque	23000 Nm
Slip torque	37000 Nm
Slip torque tolerance	± 10 %

TECHNICAL DATA WTC-542

Nominal power	5,3 MW
Rated torque	31000 Nm
Slip torque	56000 Nm
Slip torque tolerance	± 10 %

SPECIAL EQUIPMENT

- Integrated torque limiter
- Integrated brake disc (toothing optionally)
- Electrical insulation using GFRP or ceramic material
- Sensor discs for speed or torque measurement
- Multi-stud fasteners for low-torque mounting

GENERAL

- JHS WTC couplings are tailor-made solutions for wind turbine applications.
For more information please contact DELLNER BUBENZER.